

Mount Sinai
School of Medicine
ResNet Network

Academic Computing
(212) 241-7091

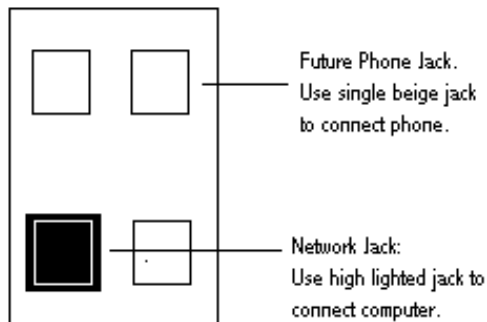
What Do I Need to Get On to ResNet?:

- A computer with Windows 2000, 98, 95, NT or Mac OS 8 or 9.
- 3Com Ethernet Card; network cards by other manufacturers will not be supported. Ethernet Cards for desktop pcs may be purchased from Academic Computing at a cost of \$54.
- A valid PINE e-mail account on doc.mssm.edu.

If you require assistance with an Ethernet Card or PINE account, contact the Helpdesk at 241-7091.

Connecting to ResNet:

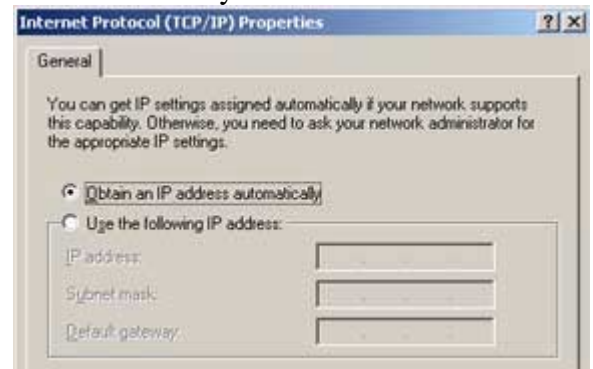
- Using a network cable, connect the network card in your computer to the jack located in your apartment



- Once connected, make sure to adjust the following network setting:

Windows:

1. Click the Start Button, go to Settings, and select Control Panel.
2. In the Control Panel window, double-click the Network icon.
3. Select the TCP/IP Protocol and click on Properties.
4. Click "Obtain an IP address automatically."



Mac:

1. Click the Apple menu, scroll down to Control Panels, then to TCP/IP.
2. In the TCP/IP window set the following parameters:
Connect Via: Ethernet
Configure: Using DHCP Server
Search domains: mssm.edu.
3. Close all windows and save the changes you made to the TCP/IP control panel.

- Reboot your computer and double-click on Netscape or Internet Explorer.

For additional support, contact the Helpdesk at 241-7091.